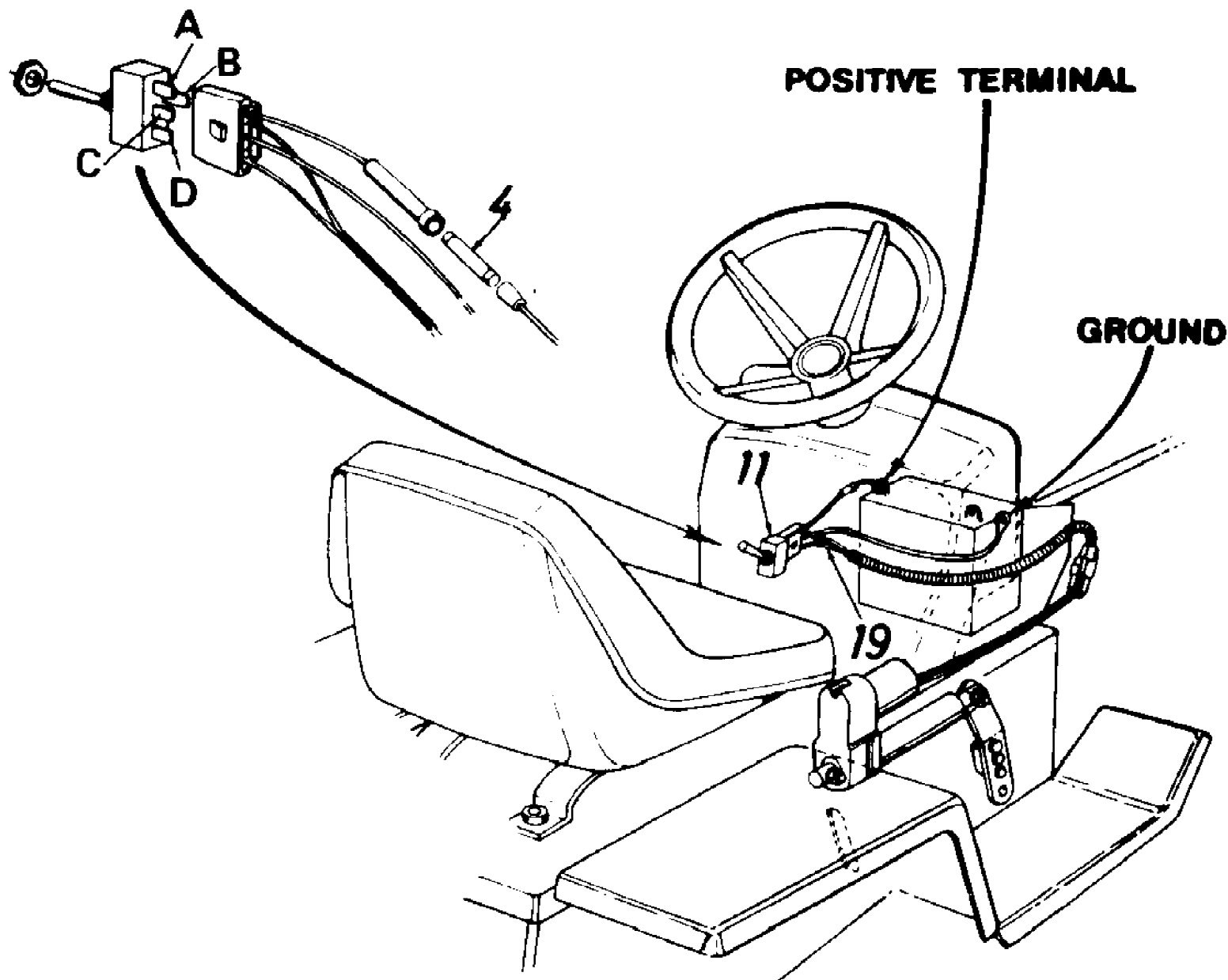


196-749-000 Electric Lift Kit (1986)
Electric Lift Kit

Page 2 of 4

Ref #	Part Number	Qty	S/P/F	Description
1	738-0639	1		Pivot Pin
2	738-0150	1	S	Shld. Bolt.626 Dia. x .96"
3	16385	1		Mtg. Plate Ass'y.
	725-0300	1		Fuse 30 AMP (For Service Only)
5	712-0138	1	S	Hex Nut 1/4-28Thd.
6	736-0329	1	S	L-Wash. 1/4" I.D.*
7	710-0412	1	/P	Hex Bolt 1/4-28 x .75" Lg. (Grade 5)
8	714-0115	1	S	Cotter Pin
9	738-0640	1		Indicator & Mtg. Pin
10	717-0620	1	S	Electric Actuator
	725-1053	1	S	Toggle Switch
12	712-0461	1	S	Hex Jam Nut 1/2-13 Thd.
13	748-0307	1	S	Lift Shaft Drive
14	16387	1	S	Lift Bracket Ass'y.
15	736-0119	1	S	L-Wash. 5/16" I.D.*
16	710-0117	1	S	Hex Bolt 5/16-24 x 1.0" Lg. (Grade 5)
17	736-0192	1	S	FI-Wash. .53" I.D. x.93" O.D.
18	712-0921	1		L-Wash. 1/2" I.D.*
	725-1108	1		Wire Harness
20	731-0759	1		Plastic Tubing-7"
21	726-0175	1	/P	Clamp



196-749-000 Electric Lift Kit (1986)
Lift Wiring Diagram

Page 4 of 4

Ref #	Part Number	Qty	S/P/F	Description
A		1		Blue Wire Connects to Positive Terminal on Battery
B		1		Yellow Wire Connects to Actuator
C		1		Black Wire Ground Wir-to Frame
D		1		Red Wire Connects to Actuator
4	725-0300	1		Fuse 30 AMP (For Service Only)
11	725-1053	1	S	Toggle Switch
19	725-1108	1		Wire Harness